

Figure 1
Servo Post B
side view

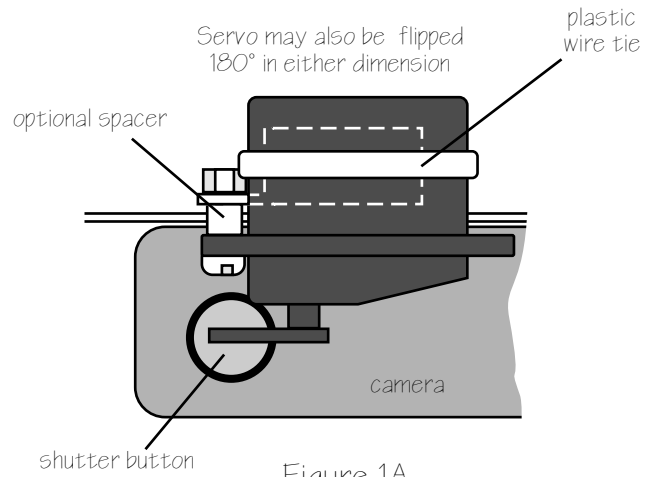


Figure 1A
lateral mounting

Top Views – Post B shown in dotted lines beneath servo

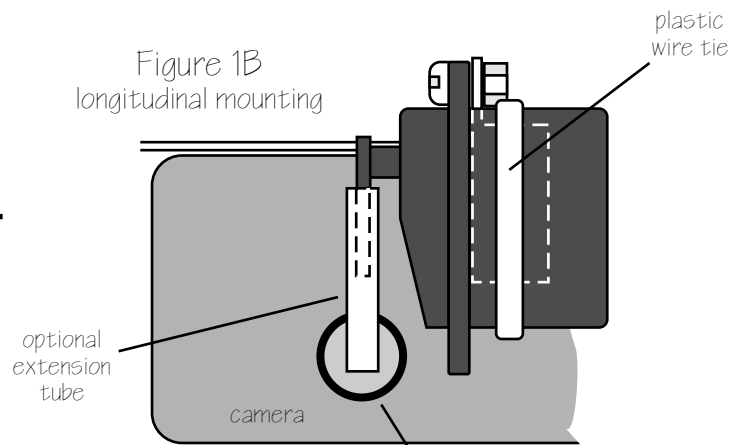


Figure 1B
longitudinal mounting

BROOXES BASIC KAP KIT

Figure 2
Inside of Servo Case Top

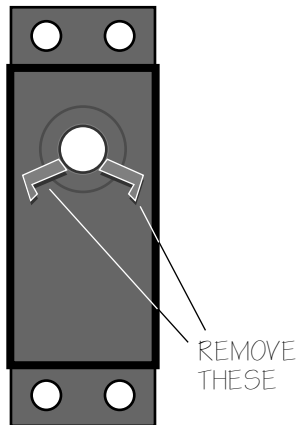


Figure 3
Main Drive Gear cross section
(not to scale)

